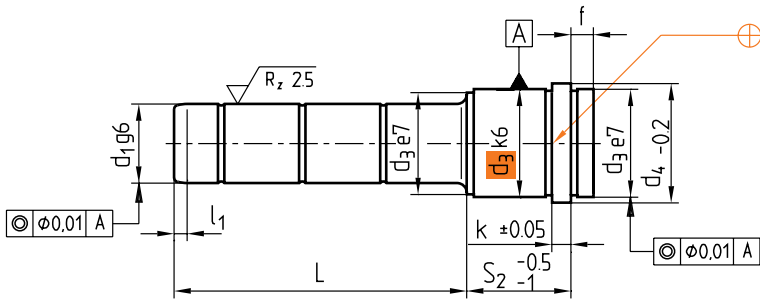
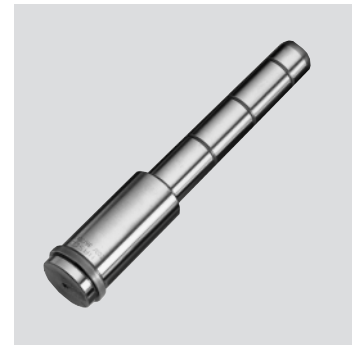


Z00/...

Mat.: ≈ 1.0401/690 + 70 HV 30  
 ≈ DIN 16761-A

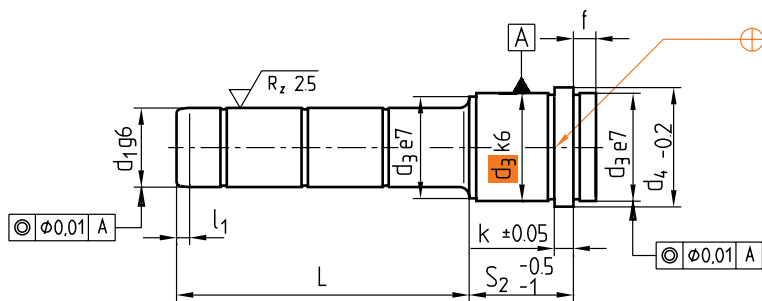
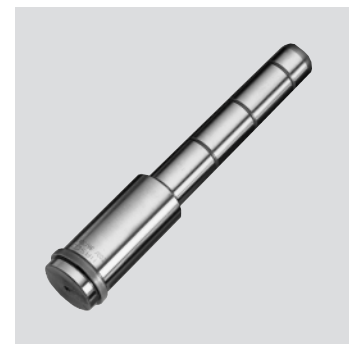


$l_1$	f	k	$d_3$	$d_4$	$S_2$	$d_1$	L	Nr./No.	$d_1$	Nr./No.								
7	9	6	20	25	27	14	30	Z00/ 27/14x 30	15	Z00/ 27/15x 35								
							45	45		45								
							65	65		65								
							85	85		85								
							105	105		105								
							125	125		125								
							145	145		145								
							165	165		165								
							36	14		35	Z00/ 36/14x 35	15	Z00/ 36/15x 35					
					55	55	55											
					75	75	75											
					95	95	95											
					125	125	125											
					155	155	155											
					7	9	6		20	25	46		14	35	Z00/ 46/14x 35	15	Z00/ 46/15x 35	
														45	45		45	
														65	65		65	
								85				85		85				
105	105	105																
125	125	125																
145	145	145																
7	9	6	20	25				56				14		35	Z00/ 56/14x 35		15	Z00/ 56/15x 35
														55	55			55
					75	75	75											
					95	95	95											
					135	135	135											
					66	14	55		Z00/ 66/14x 55	15	Z00/ 66/15x 55							
					65		65		65									
					95		95		95									
					125		125		125									
					76	14	55	Z00/ 76/14x 55	15	Z00/ 76/15x 55								
											95	95						
											86	14	55	Z00/ 86/14x 55	15	Z00/ 86/15x 55		
																	95	95
																	96	14
											95	95						
					116	14	75	Z00/116/14x 75	15	Z00/116/15x 75								

This is trial version  
[www.adultpdf.com](http://www.adultpdf.com)

Z00/...

Mat.: ≈ 1.0401/690 + 70 HV 30  
 ≈ DIN 16761-A

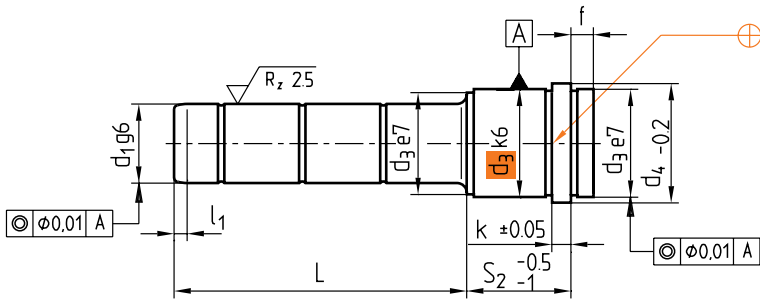
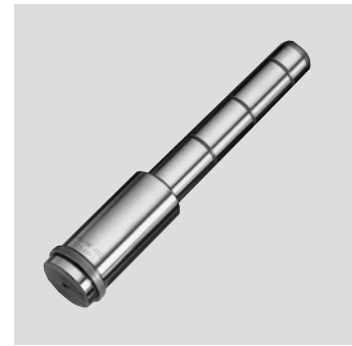


$l_1$	f	k	$d_3$	$d_4$	$S_2$	$d_1$	L	Nr./No.	$d_1$	Nr./No.								
7	9	6	26	31	17	18	35	Z00/ 17/18x 35	20	Z00/ 17/20x 35								
							55	55		55								
							75	75		75								
							120	120		120								
							22	18		35	Z00/ 22/18x 35	20	Z00/ 22/20x 35					
										45	45	45						
					65	65	65											
					85	85	85											
					115	115	115											
					7	9	6	26	31	27	18	35	Z00/ 27/18x 35	20	Z00/ 27/20x 35			
												45	45		45			
												65	65		65			
85	85	85																
105	105	105																
125	125	125																
165	165	165																
225	225	225																
245	245	245																
7	9	6	26	31								36	18		35	Z00/ 36/18x 35	20	Z00/ 36/20x 35
					55	55	55											
					75	75	75											
					95	95	95											
					115	115	115											
					135	135	135											
					165	165	165											
					225	225	225											
					255	255	255											
					7	9	6	26	31	46	18			35	Z00/ 46/18x 35	20		Z00/ 46/20x 35
45	45	45																
65	65	65																
85	85	85																
105	105	105																
135	135	135																
165	165	165																
245	245	245																
7	9	6	26	31								56	18	35	Z00/ 56/18x 35		20	Z00/ 56/20x 35
														55	55			55
					75	75	75											
					95	95	95											
					155	155	155											
					155	155	155											

This is trial version  
[www.adultpdf.com](http://www.adultpdf.com)

Z00/...

Mat.: ≈ 1.0401/690 + 70 HV 30  
 ≈ DIN 16761-A

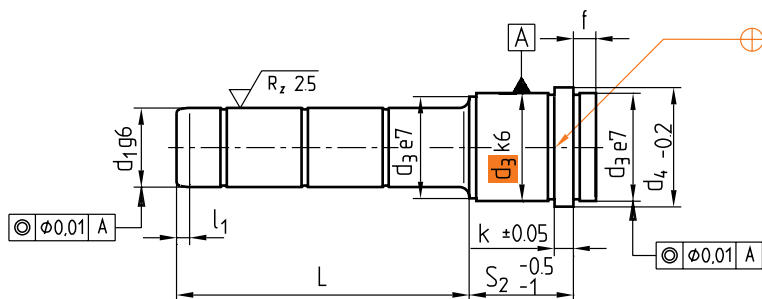
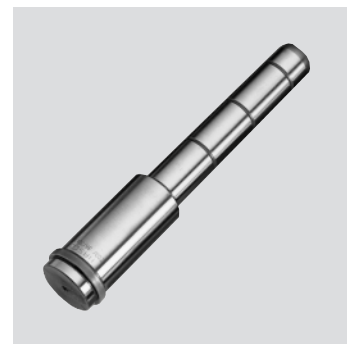


$l_1$	f	k	$d_3$	$d_4$	$S_2$	$d_1$	L	Nr./No.	$d_1$	Nr./No.			
7	9	6	26	31	66	18	35	Z00/ 66/18x 35	20	Z00/ 66/20x 35			
							55	55		55			
							75	75		75			
							95	95		95			
							145	145		145			
							76	18		55	Z00/ 76/18x 55	20	Z00/ 76/20x 55
			75		75	75							
			95		95	95							
			135		135	135							
			86		18	55	Z00/ 86/18x 55		20	Z00/ 86/20x 55			
			75			75	75						
			95			95	95						
125	125	125											
96	18	55	Z00/ 96/18x 55	20		Z00/ 96/20x 55							
95		95	95										
116		18	75		Z00/116/18x 75	20	Z00/116/20x 75						
115	115		115										
7	9	6	30	35	17	22	35	Z00/ 17/22x 35	24	Z00/ 17/24x 35			
							55	55		55			
							75	75		75			
							22	22		35	Z00/ 22/22x 35	24	Z00/ 22/24x 35
							55			55	55		
							75			75	75		
			105		105	105							
			130		130	130							
			27		22	35	Z00/ 27/22x 35		24	Z00/ 27/24x 35			
			45			45	45						
			65			65	65						
			85			85	85						
105	105	105											
125	125	125											
165	165	165											
205	205	205											
245	245	245											
285	285	285											

This is trial version  
[www.adultpdf.com](http://www.adultpdf.com)

Z00/...

Mat.: ≈ 1.0401/690 + 70 HV 30  
 ≈ DIN 16761-A

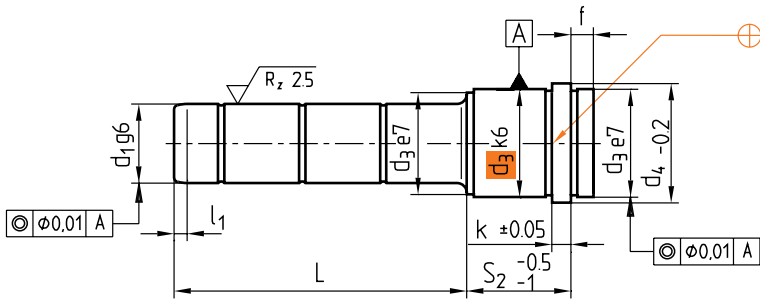
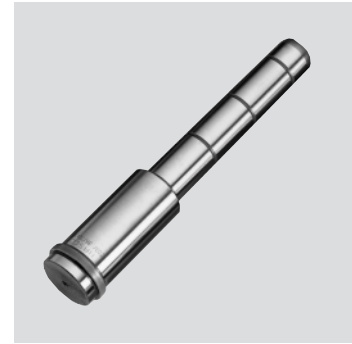


							∅		∅									
l <sub>1</sub>	f	k	d <sub>3</sub>	d <sub>4</sub>	S <sub>2</sub>	d <sub>1</sub>	L	Nr./No.	d <sub>1</sub>	Nr./No.								
7	9	6	30	35	36	22	35	Z00/ 36/22x 35	24	Z00/ 36/24x 35								
							55	55		55								
							75	75		75								
							95	95		95								
							115	115		115								
							135	135		135								
							165	165		165								
							205	205		205								
							245	245		245								
							285	285		285								
7	9	6	30	35	46	22	35	Z00/ 46/22x 35	24	Z00/ 46/24x 35								
							45	45		45								
							65	65		65								
							85	85		85								
							105	105		105								
							125	125		125								
							165	165		165								
							205	205		205								
							7	9		6	30	35	56	22	35	Z00/ 56/22x 35	24	Z00/ 56/24x 35
															55	55		55
75	75	75																
95	95	95																
115	115	115																
165	165	165																
205	205	205																
7	9	6	30	35	66	22			35						Z00/ 66/22x 35	24		Z00/ 66/24x 35
									55						55			55
									75						75			75
							95	95	95									
							155	155	155									
					76	22	55	Z00/ 76/22x 55	24	Z00/ 76/24x 55								
							75	75		75								
							95	95		95								
							115	115		115								
							145	145		145								
					86	22	55	Z00/ 86/22x 55	24	Z00/ 86/24x 55								
							75	75		75								
							95	95		95								
							135	135		135								

This is trial version  
[www.adultpdf.com](http://www.adultpdf.com)

Z00/...

Mat.: ≈ 1.0401/690 + 70 HV 30  
 ≈ DIN 16761-A

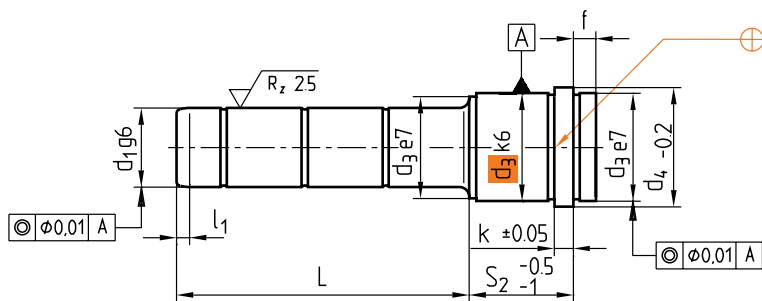
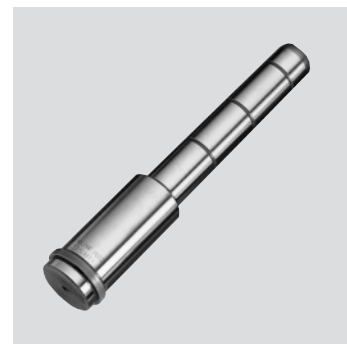


$l_1$	f	k	$d_3$	$d_4$	$S_2$	$d_1$	L	Nr./No.	$d_1$	Nr./No.			
7	9	6	30	35	96	22	55	Z00/ 96/22x 55	24	Z00/ 96/24x 55			
							75	75		75			
							95	95		95			
							125	125		125			
					116	22	75	Z00/116/22x 75	24	Z00/116/24x 75			
								115		115	115		
								155		155	155		
								136		22	95	Z00/136/22x 95	24
					135	135	135						
					156	22	155	Z00/156/22x 155	24	Z00/156/24x 155			
								27		30	45	Z00/ 27/30x 45	32
					7	9	6	42	47		27	65	
105	105	105											
165	165	165											
185	185	185											
245	245	245											
285	285	285											
36	30	55	Z00/ 36/30x 55	32								Z00/ 36/32x 55	
			75									75	
			95		95	95							
			115		115	115							
7	9	6	42	47	46	30	45	Z00/ 46/30x 45	32		Z00/ 46/32x 45		
							65	65		65			
							85	85		85			
							105	105		105			
							125	125		125			
							165	165		165			
							245	245		245			
							285	285		285			
7	9	6	42	47	46	30	55	Z00/ 56/30x 55	32	Z00/ 56/32x 55			
							75	75		75			
							95	95		95			
							115	115		115			
					56	30	55	Z00/ 56/30x 55	32	Z00/ 56/32x 55			
								75		75	75		
								95		95	95		
								115		115	115		
					135	135	135	135	135	135			
								175	175	175			
								245	245	245			
								295	295	295			

This is trial version  
[www.adultpdf.com](http://www.adultpdf.com)

Z00/...

Mat.: ≈ 1.0401/690 + 70 HV 30  
 ≈ DIN 16761-A

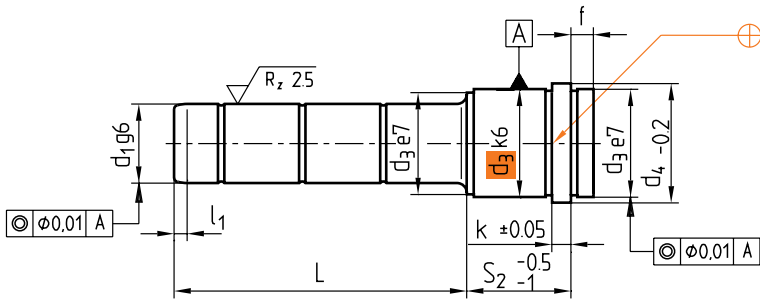
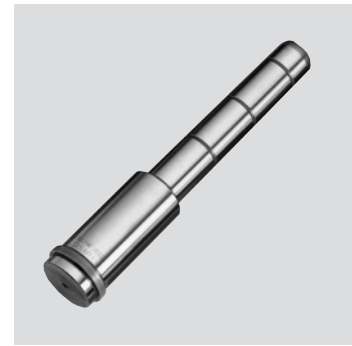


$l_1$	f	k	$d_3$	$d_4$	$S_2$	$d_1$	L	Nr./No.	$d_1$	Nr./No.
7	9	6	42	47	66	30	55	Z00/ 66/30x 55	32	Z00/ 66/32x 55
							75	75		75
							95	95		95
							115	115		115
							135	135		135
							175	175		175
							245	245		245
					295	295	295			
					76	30	55	Z00/ 76/30x 55	32	Z00/ 76/32x 55
							75	75		75
							95	95		95
							115	115		115
							155	155		155
							225	225		225
225	225	225								
7	9	6	42	47	86	30	55	Z00/ 86/30x 55	32	Z00/ 86/32x 55
							75	75		75
							95	95		95
							115	115		115
							155	155		155
							225	225		225
							225	225		225
					96	30	55	Z00/ 96/30x 55	32	Z00/ 96/32x 55
							75	75		75
							95	95		95
							115	115		115
							205	205		205
					116	30	75	Z00/116/30x 75	32	Z00/116/32x 75
							115	115		115
155	155	155								
136	30	95	Z00/136/30x 95	32	Z00/136/32x 95					
		115	115		115					
		155	155		155					
156	30	115	Z00/156/30x115	32	Z00/156/32x115					
		155	155		155					
196	30	155	Z00/196/30x155	32	Z00/196/32x155					
		195	195		195					

This is trial version  
[www.adultpdf.com](http://www.adultpdf.com)

Z00/...

Mat.: ≈ 1.0401/690 + 70 HV 30  
 ≈ DIN 16761-A



$l_1$	f	k	$d_3$	$d_4$	$S_2$	$d_1$	L	Nr./No.	$d_1$	Nr./No.	
7	12	10	54	60	46	40	95	Z00/ 46/40x 95	42	Z00/ 46/42x 95	
							165	165		165	
							75	Z00/ 56/40x 75		Z00/ 56/42x 75	
						56	40	115	115	115	
								155	155	155	
								195	195	195	
					66	40	75	Z00/ 66/40x 75	42	Z00/ 66/42x 75	
							135	135		135	
							75	Z00/ 76/40x 75		Z00/ 76/42x 75	
					76	40	75	115	115	115	
								175	175	175	
								75	Z00/ 86/40x 75	42	Z00/ 86/42x 75
					86	40	75	135	135		135
								75	Z00/ 96/40x 75		42
								115	115	115	
					96	40	75	155	155	155	
								95	Z00/116/40x 95	42	Z00/116/42x 95
								135	135		135
116	40	95	195	195	195						
			95	Z00/136/40x 95	42	Z00/136/42x 95					
			135	135		135					
136	40	215	215	215		215					
			115	Z00/156/40x115	42	Z00/156/42x115					
			155	155		155					
156	40	215	215	215		215					
			155	Z00/196/40x155	42	Z00/196/42x155					
			195	195		195					
196	40	235	235	235		235					
			165	Z00/246/40x165	42	Z00/246/42x165					
			245	245		245					
246	40	245									

This is trial version  
[www.adultpdf.com](http://www.adultpdf.com)